

SeriesLock®

CHANGING THE WAY YOU CONNECT

**IT'S
ASEPTIC!**



*Patents: <https://serieslock.com/patents/>
and Patents Pending*

SeriesLock® the spring-free flow path® sterile quick disconnect solution!

SeriesLock® is an innovative, sterile quick-disconnect solution that allows a larger volume of fluid to pass through at lower line pressures. Male valve assemblies include a vented spring chamber that helps eliminate fluid cross over. Recessed mating features protect contact surfaces and prolong the life of the O-rings helping to ensure a better seal for longer. Manufactured with ISO 10993 compliant materials, standard, the ability to be sterilized, and the added option of non-magnetic springs can help SeriesLock integrate into existing clinical

components. The audible click upon connection and the safety slide release are both features to help minimize accidental disconnects.

Four standard body sizes and our 1" body and are available to accommodate tubing sizes ranging from 1/16" ID to 1" ID Tubing. Fittings are available in a variety of materials and with multiple configurable options to fit your specific needs.

Patents: <https://serieslock.com/patents/> and patents pending

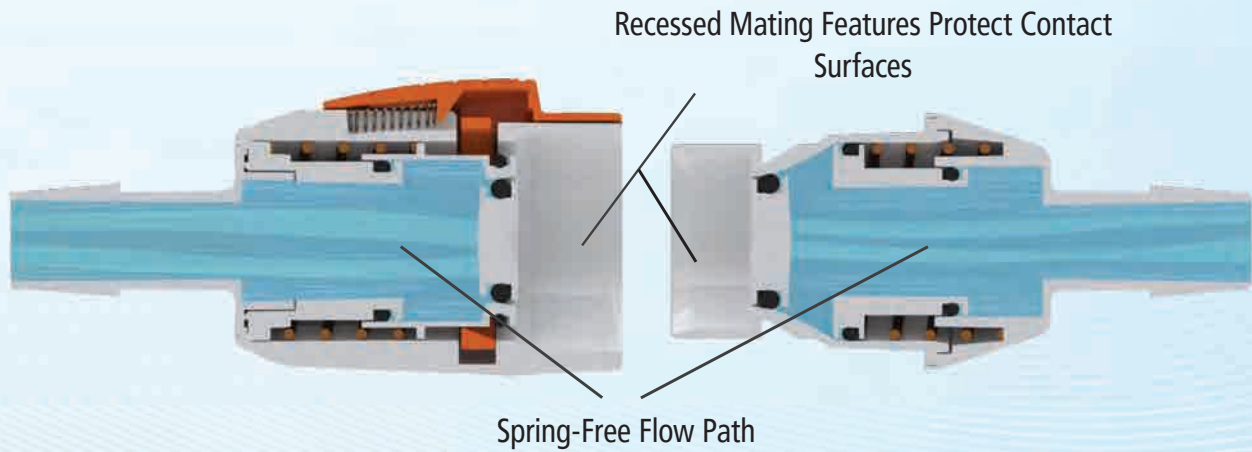
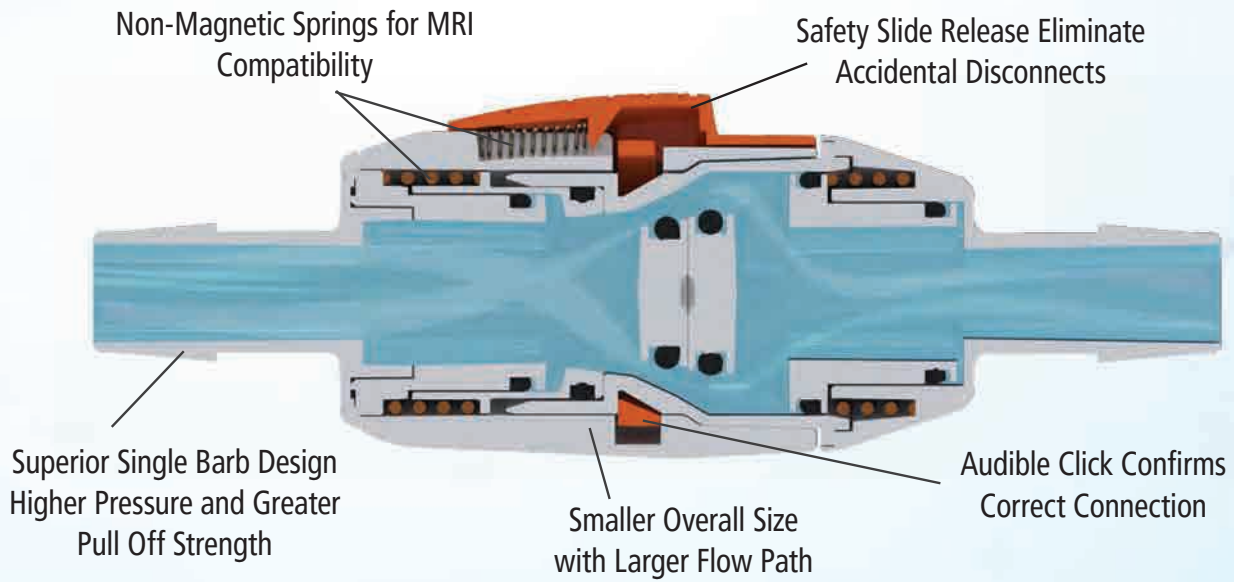
ELDON JAMES

WWW.ELDONJAMES.COM

**For a quote, call us
970-667-2728**




FEATURE AND BENEFITS



SeriesLock®

GENERAL PART NUMBER SCHEMA 100 SERIES

X	X X	X X	X X	# N QC	#
[SERIES TYPE]	[BODY] [FLOW]	[MATERIAL] [BUTTON]	[O-RING] [SPRING]	[BARB] [PM NUT] [QC]	[QTY]
[SERIES TYPE]: B – Barb PM – Panel Mount PP – Port Plate SF12 – Mini Sanitary Flange SF24 – 1.5" Sanitary Flange NPT – 1/8 1/4 3/8 1/2 CAP – Male Cap PLUG – Female Plug	[BODY TYPE]: M – Male F – Female [FLOW TYPE]: O – Open Flow V – Valve Flow	[MATERIAL]: A – Acetal K – Kynar P – Polypropylene S – Polysulfone N – GF Black Nylon ⁽³⁾ ⁽³⁾ GFBN not avail. in -QC FOR PORT PLATES (PP SERIES): E – Engage E8402 [BUTTON COLOR]: (female only) O – Orange Optional Per MOQ: B - Blue R - Red W - White K - Black	[O-RING TYPE]: B – Buna-N E – EPDM E2 – EP (NSF/FDA) F – FFKM S – Silicone V – Viton N – Non-Lubed Silicone [SPRING TYPE]: S – 302 SST N – Non-Magnetic	[BARB SIZE]: 2 – 1/8" SM Body Housing 3 – 3/16" MED Body Housing 4 – 1/4" 5/16" (5 barb) avail. only in male panel mounts 5 ⁽²⁾ – 5/16" 6 – 3/8" LG Body Housing 8 – 1/2" XL Body Housing 10 – 5/8" 12 – 3/4" 16 – 1" XL Body Housing [PANEL MOUNT ONLY]: NUT MATERIAL ⁽¹⁾ : K – PVDF ⁽¹⁾ Standard nut material is GFN. No code letter is required for the standard selection. ⁽²⁾ 5/16" (5 Barb) avail. only in male panel mounts [CLEANROOM MFG]: QC – Cleanroom Manufactured	[PACKAGE QTY]: 01 – Single Unit B – Bulk Pack



GENERAL PART NUMBER SCHEMA 200 SERIES

X	X X	X X	X X	# QC	#
[SERIES TYPE]	[BODY] [FLOW]	[MATERIAL] [BUTTON]	[O-RING] [SPRING]	[BARB] [QC]	[QTY]
[SERIES TYPE]: OPEN ONLY MBO – Micro Barb MPMO – Micro Panel Mount VALVED AND OPEN MBV – Micro Barb (S2) MPMV – Micro Panel Mount (S2)	[BODY TYPE]: M – Male F – Female [FLOW TYPE]: O – Open Flow V – Valve Flow	[MATERIAL]: A – Acetal K – Kynar P – Polypropylene S – Polysulfone [BUTTON COLOR]: (female only) O – ORANGE OPTIONAL PER MOQ: B – BLUE R – RED W – WHITE K – BLACK	[O-RING TYPE]: B – Buna-N E – EPDM E2 – EP (NSF/FDA) F – FFKM S – Silicone V – Viton N – Non-Lubed Silicone [SPRING TYPE]: S – 302 SST E – Non-Magnetic	[BARB SIZE]: 1 – 1/16" MICRO Body Housing 2 – 1/8" 3 – 3/16" 4 – 1/4" 6 – 3/8" MBO ONLY [CLEANROOM MFG]: QC – Cleanroom Manufactured PANEL MOUNT - Nut available in GFN only. Included.	[PACKAGE QTY]: 01 – Single Unit B – Bulk Pack

OPEN ONLY series (MBO / MPMO) does NOT interface with VALVED AND OPEN (MBV / MPMV) series.



BODY HOUSING SIZES



MICRO BODY HOUSING
1/16", 1/8", 3/16" and 1/4" Barb Sizes



SMALL BODY HOUSING
1/8" and 3/16" Barb Sizes



MEDIUM BODY HOUSING
1/4", 5/16"⁽¹⁾ and 3/8" Barb Sizes
⁽¹⁾ 5/16" (5 Barb) avail. only in male panel mounts



LARGE BODY HOUSING
1/2", 5/8", 3/4" Barb Sizes



X-LARGE BODY HOUSING
1" Barb Size

CONNECTOR STYLES



BARB COUPLER
Small Body – 1/8" and 3/16" Barb Sizes
Medium Body – 1/4", and 3/8" Barb Sizes
Large Body – 1/2", 5/8" and 3/4" Barb Sizes
XL Body – 1" Barb Size

PAGE 10-11



PANEL MOUNT MALE CONNECTOR

All Body Sizes – 1/8" - 1" Barb Sizes

PAGE 8-9



MALE & FEMALE SANITARY FLANGE

All Body Sizes – 3/4" Mini and 1-1/2"

PAGE 13-14



**NPT MALE AND FEMALE
THREADED ADAPTER**

All Body Sizes – 1/8" - 3/4"

PAGE 8-9

PLUG AND CAP

All Body Sizes

PAGE 20-21



PORT PLATE/BAG PORT

All Body Sizes – 1/8" - 3/4"

Male Connector shown with Cap

PAGE 15



**BARB AND PANEL MOUNT
MICRO-CONNECT**

1/16" to 1/4" Barb Sizes

PAGE 16-19

HOUSING MATERIALS



Acetal (AC)

Acetal (AC) - Opaque white in color with high stiffness, toughness and high wear resistance due to naturally high lubricity. Excellent long-term dimensional stability with high creep and fatigue resistance. Resistance to alcohols, esters, ketones, and aliphatic/aromatic hydrocarbons. Medical grade material with USP Class VI and ISO 10993-5 (cytotoxicity) ratings. Compliant to FDA 21 CFR 177.2470, Regulation No. 10/2011, REACH EC 1907/2006, Europe Decision 2001/2/EC:TSE, BSE – No Animal Origin and Phthalate/Latex/BPA free.



Glass-Filled Black Nylon (GFBN)

Glass-Filled Black Nylon (GFBN) - Gloss black in color with extremely high stiffness, impact resistance and wear resistance. Material can handle high stress loading at elevated temperatures and lower strains. Resistance to fuels, lubricants and many chemicals but may be vulnerable to attack by phenols, strong acids and oxidizing agents. Compliant to PROP65, REACH 191, EU Directive 2011/65/EC Restriction of Hazardous Substances (RoHS), EU Directive 2003/11/EC, and EU Directive 2015/863-ROHS.



Polypropylene (PP)

Polypropylene (PP) - Translucent in color produced without animal derived components. Material can be sterilized with radiation, ETO, and autoclave⁽¹⁾ methods. Excellent single use / limited reuse material for economy and Medical grade material with USP Class VI, USP 85, USP 88, USP 661 ratings and ISO 10993-5 (cytotoxicity) ratings. Compliant to FDA 21 CFR 177.1520(a) and (c). Europe Decision 2001/2/EC:TSE, BSE – No Animal Origin and Phthalate/Latex/BPA free.



Polysulfone (PS)

Polysulfone (PS) - Tough, rigid, high strength material suitable for continuous use at 300°F. Withstands oxidation, hydrolysis, prolonged high temperature exposure and repeated sterilization. Resistance to mineral acids, alkali and salt solutions, detergents and hydrocarbon oils. May be attacked by ketones, chlorinated hydrocarbons and aromatic hydrocarbons. Europe Decision 2001/2/EC:TSE, BSE – No Animal Origin and Phthalate/Latex/BPA free. Compliant to FDA 21 CFR 177.1655 and approved by the NSF.



Polyvinylidene fluoride (PVDF) / Kynar®

Polyvinylidene Fluoride (PVDF) / Kynar® - Outstanding chemical and UV resistance at both ambient and elevated temperatures. Material with high barrier properties, high purity and good mechanical and thermal properties. Abrasion, impact, flame and corrosion and chemical resistance. Europe Decision 2001/2/EC:TSE, BSE – No Animal Origin and Phthalate/Latex/BPA free. USP Class VI, and various FDA and USDA certifications.

⁽¹⁾ Autoclave sterilization with the use of non-lube silicone o-rings and Polypropylene materials is not recommended.

O-RING SELECTION

Buna-N - Standard



Buna-N (also known as nitrile or NBR O-rings) are the most widely used o-ring material and offer excellent sealing and mechanical properties, excellent resistance to oils, solvents, gasoline, and petroleum-based fluids.

Temperature range: -20°F to 225°F (-28°C to 107°C)
SAE AS568, SAE J200, ASTM D2000

EPDM - Option



Ethylene Propylene Diene Monomer rubber (EPDM) is resistant to extreme cold, steam, hot water, sunlight and UV, dilute acids, ketones, alkalis. Not for use with solvents, aromatic hydrocarbons. Sulfur cured.

Temperature range: -40°F to 212°F (-40°C to 100°C)
SAE AS568, ASTM D2000

EPR - Option



Ethylene-propylene rubber (EPR) provides a higher performance level (max service temperature, fluid resistance, etc.) Peroxide cured.

Temperature range: -X°F to X°F (-X°C to X°C)
SAE , ASTM

FFKM - Option



Perfluoroelastomers (FFKM) has an increased temperature capability and chemical resistance than the Viton (FKM). Trade names for this elastomer include Kalrez™ and Marzett™.

Temperature range: -X° to X°F (-X°C to X°C)
SAE , ASTM

Silicone - Option Non Lubricated Silicone - Option



Silicone is resistant to extreme temperatures, outstanding flexural and fatigue life, and low compression set. Resistance to fungal growth, UV and ozone exposure, and weathering. Not for use with fuels, silicone and petroleum-based oils, and acids.

Temperature range: -40°F to +400°F (-40°C to + 204°C)
SAE AS568, SAE J200

(1) Autoclave sterilization with the use of non-lube silicone o-rings and Polypropylene materials is not recommended.

Viton - Option



Viton (FKM) exhibits excellent resistance to high temperature and low compression set, F grade.

Temperature range: 0°F to +400°F (-17°C to +204°C).
SAE AS568, SAE J200, ASTM D2000

SPRING SELECTION

302 Stainless Steel - Standard

ASTM A313



Non-Magnetic - Option

ASTM F1058, ASTM B139

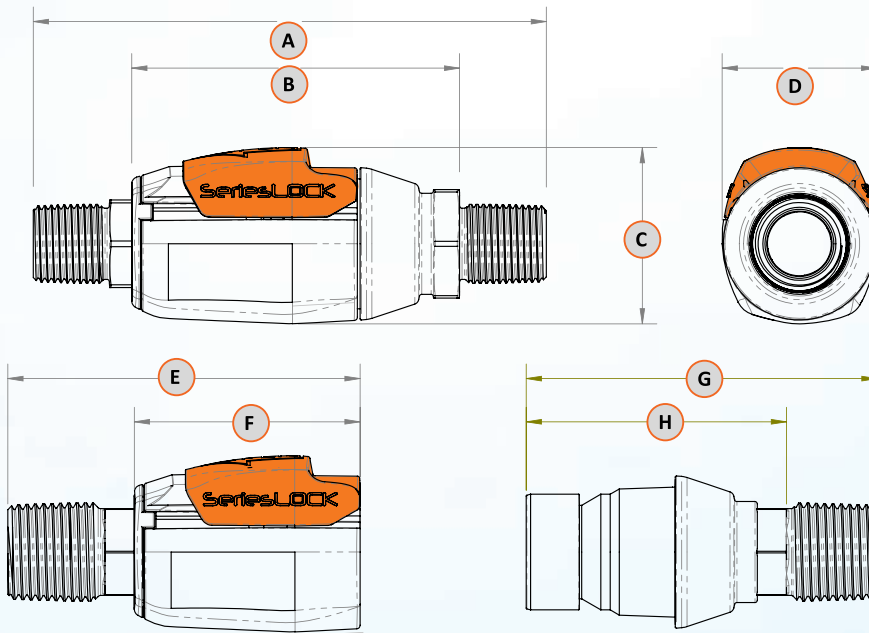


BUTTON COLOR



Orange button is standard.
White, Red, Blue and Black are special order only.

ADAPTER - NPT THREAD FITTINGS:



NPT Adapter Fittings (Dimension in Inches)

Equivalent Tubing Size	NPT Adapter	A	B	C	D	E	F	G	H
1/8"	NPT 1/8"	3.04	1.96	0.90	0.84	2.09	1.44	1.90	1.46
3/16"	NPT 1/8"	3.04	1.96	0.90	0.84	2.09	1.44	1.90	1.46
1/4"	NPT 1/4"	3.62	2.13	1.12	0.99	2.41	1.57	2.23	1.58
5/16"	NPT 1/4"	3.62	2.13	1.12	0.99	2.41	1.57	2.23	1.58
3/8"	NPT 1/4"	3.62	2.13	1.12	0.99	2.41	1.57	2.23	1.58
1/4"	NPT 3/8"	3.62	2.13	1.12	0.99	2.42	1.57	2.23	1.58
5/16"	NPT 3/8"	3.62	2.13	1.12	0.99	2.42	1.57	2.23	1.58
3/8"	NPT 3/8"	3.62	2.13	1.12	0.99	2.42	1.57	2.23	1.58
1/2"	NPT 1/2"	4.63	2.80	1.50	1.32	3.02	1.93	3.00	2.22
5/8"	NPT 1/2"	4.63	2.80	1.50	1.32	3.02	1.93	3.00	2.22
3/4"	NPT 1/2"	4.63	2.80	1.50	1.32	3.02	1.93	3.00	2.22

Valved Assembly Weights (gr)

Equivalent Tubing Size	Female Assembly			Male Assembly		
	PP	PVDF	GFBN	PP	PVDF	GFBN
1/8"	8	13	12	4	7	6
3/16"	8	13	12	4	7	6
1/4"	11	19	17	6	9	9
5/16"	11	19	17	6	9	9
3/8"	11	19	17	6	9	9
1/2"	27	45	41	15	27	23
5/8"	27	45	41	15	27	23
3/4"	27	45	41	15	27	23

SeriesLock®

ADAPTER - NPT THREAD FITTINGS (CONT):

Equivalent Tubing Size	Open Assembly Weights (gr)					
	Female Assembly			Male Assembly		
	PP	PVDF	GFBN	PP	PVDF	GFBN
1/8"	8	13	12	2	4	3
3/16"	8	13	12	2	4	3
1/4"	10	18	16	3	6	4
5/16"	10	18	16	3	6	4
3/8"	10	18	16	3	6	4
1/2"	24	42	37	9	18	14
5/8"	24	42	37	9	18	14
3/4"	24	42	37	9	18	14



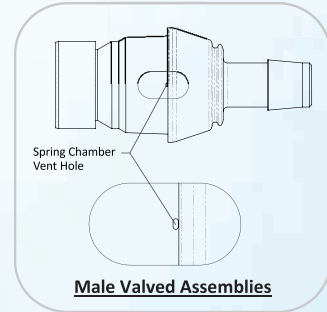
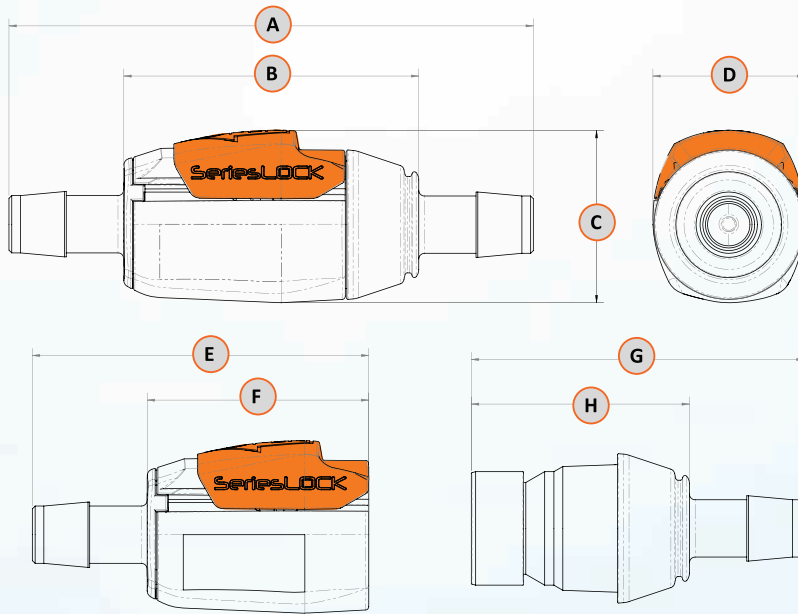
NPT Thread Adapter Female and Male – 1/8", 3/16", 1/4", 5/16", 3/8", 1/2" 5/8", and 3/4"



SeriesLock® is changing the way you connect your assemblies

SeriesLOCK®

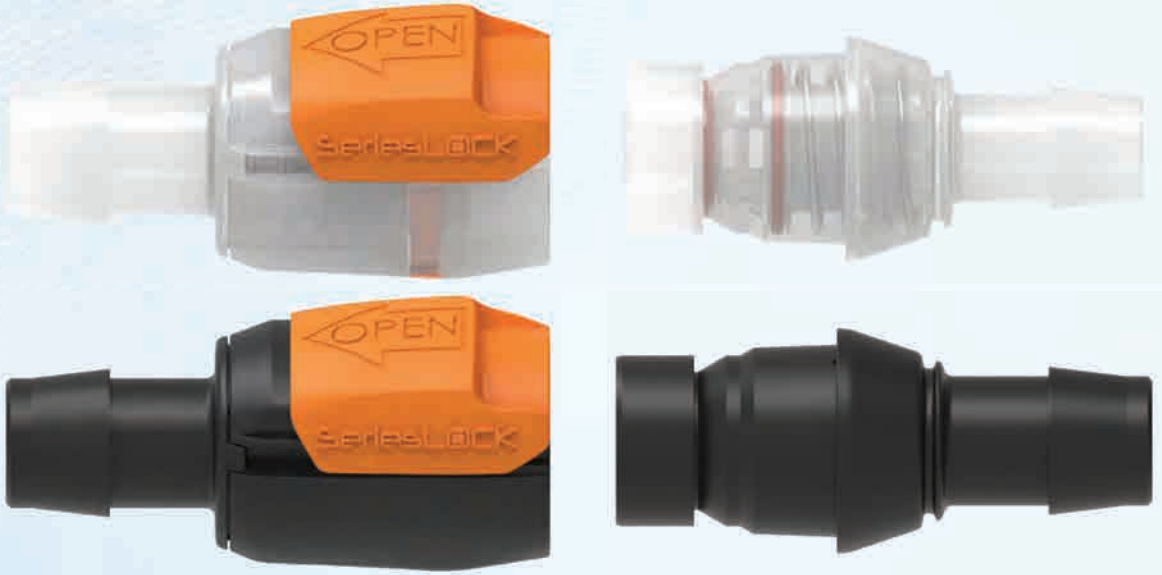
BARB FITTINGS:



Barb Fittings (Dimension in Inches)								
Tubing Size	A	B	C	D	E	F	G	H
1/8"	2.60	1.80	0.90	0.84	1.85	1.44	1.70	1.30
3/16"	3.00	1.80	0.90	0.84	2.05	1.44	1.90	1.30
1/4"	3.46	1.98	1.12	0.99	2.30	1.56	2.29	1.45
3/8"	3.66	1.98	1.12	0.99	2.40	1.56	2.29	1.45
1/2"	4.58	2.57	1.50	1.32	2.93	1.93	2.90	1.90
3/4"	4.97	2.57	1.50	1.32	3.13	1.93	3.10	1.90
1"	5.78	2.98	1.82	1.58	3.64	2.23	3.60	2.20

Valved Assembly Weights (gr)						
Tubing Size	Female Assembly			Male Assembly		
	PP	PVDF	GFBN	PP	PVDF	GFBN
1/8"	7	12	11	4	6	6
3/16"	8	13	12	4	7	6
1/4"	11	18	17	6	9	9
3/8"	11	19	17	6	9	9
1/2"	25	42	38	15	25	22
3/4"	27	45	41	15	27	23
1"	40	71	-	23	46	-

Open Assembly Weights (gr)						
Tubing Size	Female Assembly			Male Assembly		
	PP	PVDF	GFBN	PP	PVDF	GFBN
1/8"	7	12	11	2	4	3
3/16"	8	13	12	2	4	3
1/4"	10	17	15	3	5	4
3/8"	10	18	16	3	6	4
1/2"	22	39	34	9	18	14
3/4"	24	42	37	9	18	14
1"	38	69	-	21	44	-



Large Body Female and Male – 1/2", 5/8" and 3/4" Barb Sizes
 XL Body Female and Male – 1" Barb Size (not shown)



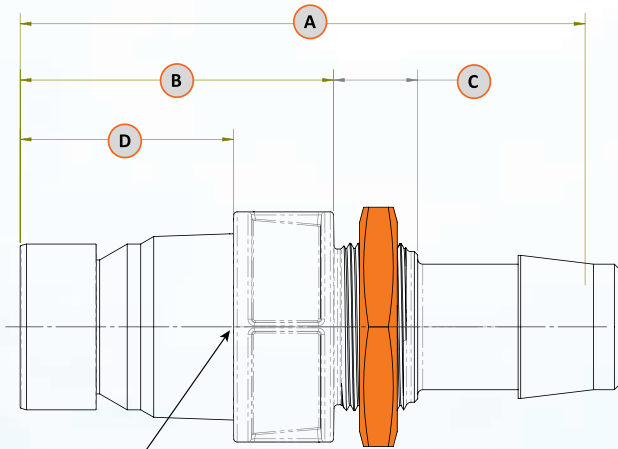
Medium Body Female and Male – 1/4" and 3/8" Barb Sizes



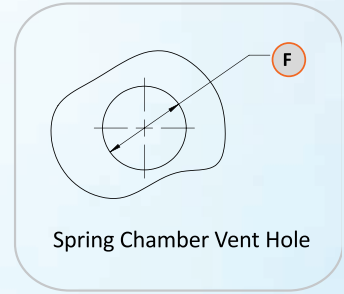
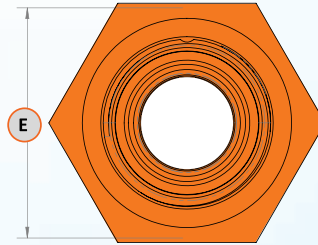
Small Body Female and Male – 1/8" and 3/16" Barb Sizes

SeriesLock®

PANEL MOUNT MALE FITTINGS:



Spring Chamber Vent Hole



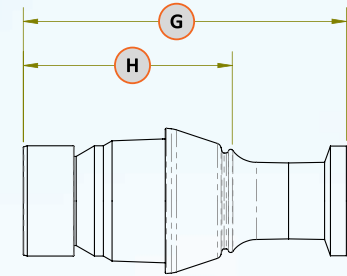
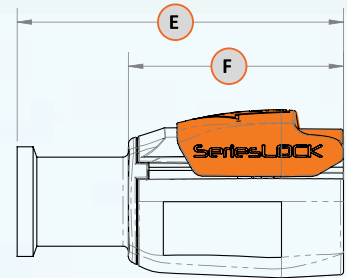
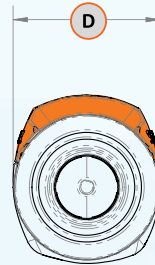
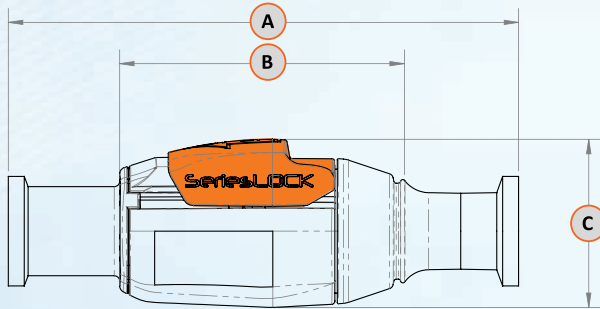
Panel Mount Fittings												
Open and Valved Assemblies (Dimensions in Inches)						Tubing Size	Open and Valved Assemblies Weights (gr)					
A	B	C	D	E	F		Valved Assembly			Open Assembly		
							PP	PVDF	GFBN	PP	PVDF	GFBN
2.04	1.14	0.5	0.97	0.87	0.695	1/8"	6	8	7	4	7	6
2.24	1.14	0.5	0.97	0.87	0.695	3/16"	6	8	7	4	7	6
2.68	1.45	0.5	1.05	1	0.695	1/4"	9	13	12	6	12	11
2.73	1.45	0.5	1.05	1	0.695	5/16"	9	13	12	6	12	11
2.78	1.45	0.5	1.05	1	0.695	3/8"	10	14	13	6	12	11
3.38	1.87	0.5	1.27	1.37	1	1/2"	20	24	22	14	20	16
3.48	1.87	0.5	1.27	1.37	1	5/8"	20	24	22	14	20	16
3.58	1.87	0.5	1.27	1.37	1	3/4"	21	25	23	15	21	17
3.65	1.54	0.7	1.47	2.13	1.760	1"	31	60	-	25	56	-



Panel Mount Male – 1/8", 3/16", 1/4", 5/16", 3/8", 1/2", 5/8", 3/4" and 1"

SeriesLock®

3/4" MINI SANITARY FLANGE FITTINGS:



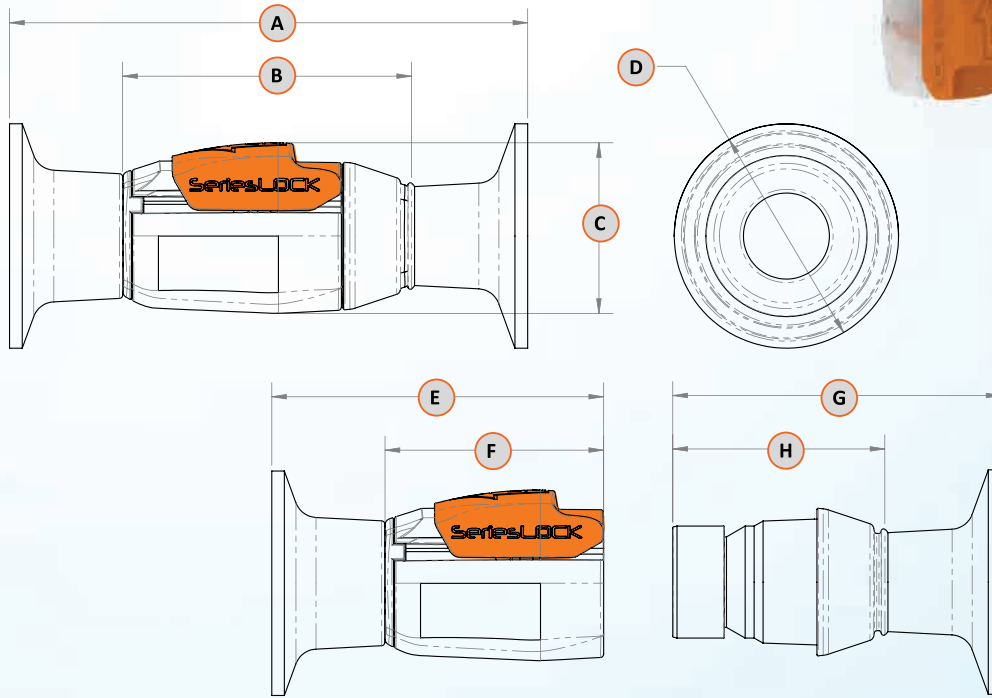
Sanitary Flange Female 1/4", 3/8", 1/2", 5/8" and 3/4" and Male – 1/8", 3/16", 1/4", 3/8", 1/2", 5/8" and 3/4"

3/4" Mini Sanitary Fittings SF12 (Dimension in Inches)								
Equivalent Tubing Size	A	B	C	D	E	F	G	H
1/8"							2.11	1.33
3/16"							2.11	1.33
1/4"	3.9	1.92	1.12	0.99	2.57	1.57	2.37	1.43
5/16"	3.9	1.92	1.12	0.99	2.57	1.57	2.37	1.43
3/8"	3.9	1.92	1.12	0.99	2.57	1.57	2.37	1.43
1/2"	4.58	2.56	1.5	1.32	2.93	1.93	2.9	1.88
5/8"	4.58	2.56	1.5	1.32	2.93	1.93	2.9	1.88
3/4"	4.58	2.56	1.5	1.32	2.93	1.93	2.9	1.88

Valved and Open Assembly Weights (gr)												
Female Open and Valved Assemblies Weights (gr)						Tubing Size	Male Open and Valved Assemblies Weights (gr)					
Valved Assembly			Open Assembly				Valved Assembly			Open Assembly		
PP	PVDF	GFBN	PP	PVDF	GFBN		PP	PVDF	GFBN	PP	PVDF	GFBN
						1/8"	6	8	7	4	7	6
						3/16"	6	8	7	4	7	6
11	18	17	10	17	15	1/4"	9	13	12	6	12	11
11	18	17	10	17	15	5/16"	9	13	12	6	12	11
11	19	17	10	18	16	3/8"	10	14	13	6	12	11
25	42	38	22	39	34	1/2"	20	24	22	14	20	16
25	42	38	22	39	34	5/8"	20	24	22	14	20	16
27	45	38	24	39	34	3/4"	20	24	22	14	20	16



1-1/2" SANITARY FLANGE FITTINGS:



1-1/2" Sanitary Fittings SF24 (Dimension in Inches)								
Equivalent Tubing Size	A	B	C	D	E	F	G	H
1/2"	4.58	2.56	1.5	1.32	2.93	1.93	2.9	1.88
5/8"	4.58	2.56	1.5	1.32	2.93	1.93	2.9	1.88
3/4"	4.58	2.56	1.5	1.32	2.93	1.93	2.9	1.88

Valved Assembly Weights (gr)						
Tubing Size	Female Assembly			Male Assembly		
	PP	PVDF	GFBN	PP	PVDF	GFBN
1/2"	31	53	48	26	32	29
5/8"	31	53	48	26	32	29
3/4"	31	53	48	26	32	29

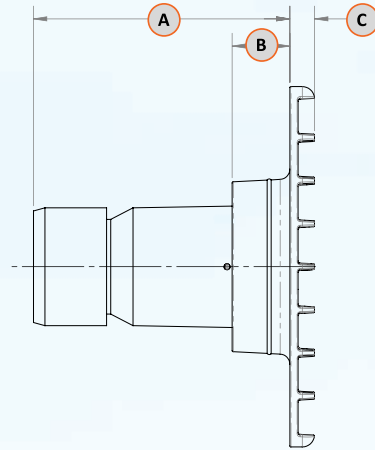
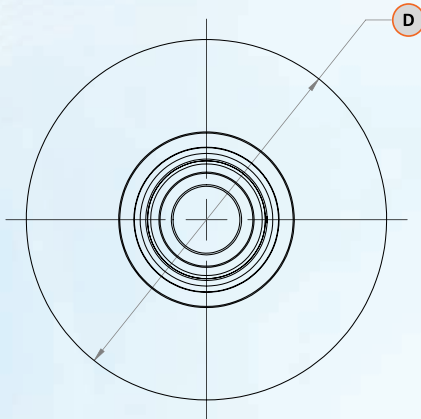
Open Assembly Weights (gr)						
Tubing Size	Female Assembly			Male Assembly		
	PP	PVDF	GFBN	PP	PVDF	GFBN
1/2"	28	50	44	20	29	23
5/8"	28	50	44	20	29	23
3/4"	28	50	44	20	29	23



1-1/2" Sanitary Flange Female and Male – 1/2", 5/8", 3/4"

SeriesLock®

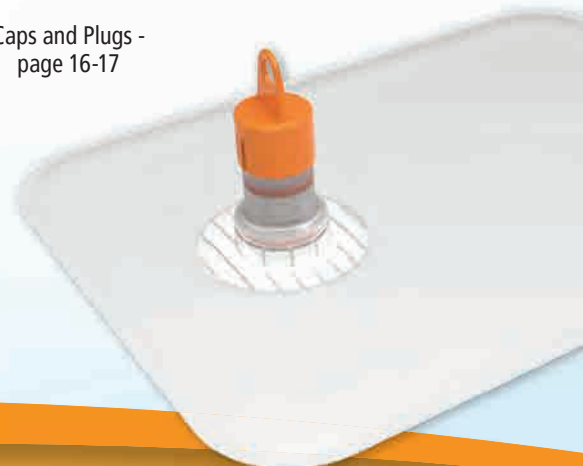
PORT PLATE / BAG PORT FITTINGS:



Port Plate / Bag Port Fittings										
Open and Valved Assemblies (Dimensions in Inches)				Tubing Size	Open and Valved Assemblies Weights (gr)					
A	B	C	D		Valved Assembly			Open Assembly		
					PP	PVDF	GFBN	PP	PVDF	GFBN
1.32	0.36	0.12	1.75	1/8"	9	13		6	12	
1.32	0.36	0.12	1.75	3/16"	9	13		6	12	
1.45	0.4	0.12	1.75	1/4"	10	14		6	12	
1.45	0.4	0.12	1.75	5/16"	10	14		6	12	
1.45	0.4	0.12	1.75	3/8"	10	14		6	12	
1.84	0.56	0.12	2.25	1/2"	21	25		15	21	
1.84	0.56	0.12	2.25	5/8"	21	25		15	21	
1.84	0.56	0.12	2.25	3/4"	21	25		15	21	



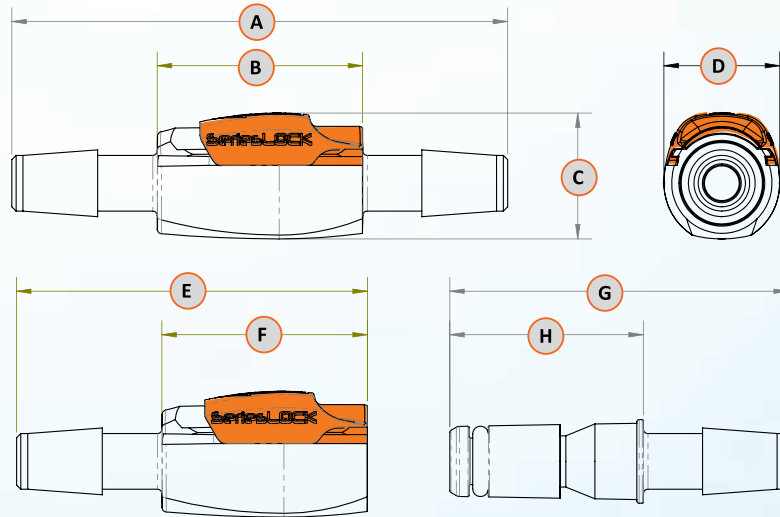
Caps and Plugs -
page 16-17



All Body Sizes – 1/8", 3/16", 1/4", 3/8", 1/2", 5/8" and 3/4"
Port Plate/Bag Port Male Connector

SeriesLock®

MICRO-CONNECT BARB (MBO) OPEN FLOW FITTINGS:



MBO Series - Micro-Connect Barb Fittings (Dimension in Inches)

Equivalent Tubing Size	A	B	C	D	E	F	G	H
1/16"	1.33	0.92	0.57	0.52	1.12	0.92	1.07	0.87
1/8"	1.73	0.92	0.57	0.52	1.32	0.92	1.27	0.87
3/16"	2.13	0.92	0.57	0.52	1.52	0.92	1.47	0.87
1/4"	2.23	0.92	0.57	0.52	1.57	0.92	1.52	0.87

Open Assembly Weights (gr)

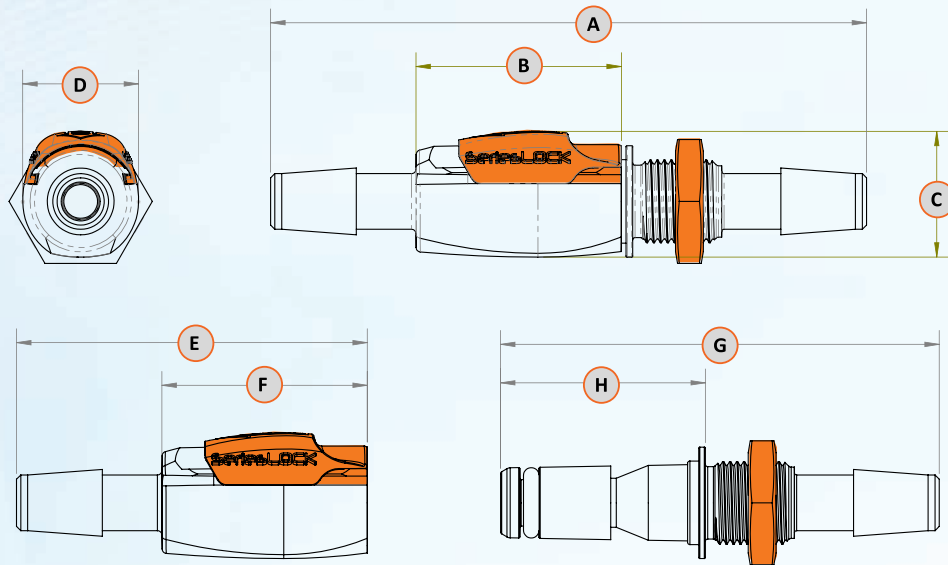
Tubing Size	Female Assembly			Male Assembly		
	PP	PVDF	GFBN	PP	PVDF	GFBN
1/16"	1.5	2.9		0.8	1.6	
1/8"	1.6	3.1		0.8	1.7	
3/16"	1.8	3.5		1.0	2.0	
1/4"	1.8	3.5		1.0	2.0	



Barb (MBO) Open Flow Female and Male – 1/16", 1/8", 3/16", 1/4" and 3/8"

SeriesLock®

MICRO-CONNECT PANEL MOUNT (MPMO) OPEN FLOW FITTINGS:



MPMO Series - Micro-Connect Panel Mount Fittings (Dimension in Inches)								
Equivalent Tubing Size	A	B	C	D	E	F	G	H
1/16"	1.78	0.92	0.57	0.52	1.12	0.92	1.52	0.92
1/8"	2.18	0.92	0.57	0.52	1.32	0.92	1.72	0.92
3/16"	2.58	0.92	0.57	0.52	1.52	0.92	1.92	0.92
1/4"	2.68	0.92	0.57	0.52	1.57	0.92	1.97	0.92

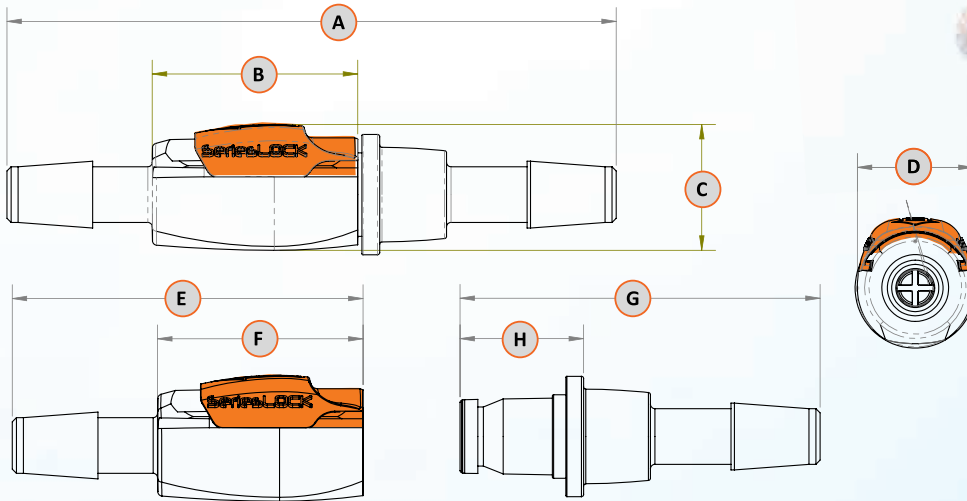
Open Assembly Weights (gr)						
Tubing Size	Female Assembly			Male Assembly		
	PP	PVDF	GFBN	PP	PVDF	GFBN
1/16"	1.5	2.9		1.3	2.7	
1/8"	1.6	3.1		1.4	2.8	
3/16"	1.8	3.5		1.6	3.1	
1/4"	1.8	3.5		1.6	3.1	



Panel Mount (MPMO) Open Flow Female and Male – 1/16", 1/8", 3/16" and 1/4"

SeriesLock®

MICRO-CONNECT BARB (MBV) VALVED FLOW FITTINGS:



MBV Series - Micro-Connect Barb Fittings (Dimension in Inches)								
Equivalent Tubing Size	A	B	C	D	E	F	G	H
1/16"	1.73	0.92	0.57	0.52	1.12	0.92	1.08	0.56
1/8"	2.13	0.92	0.57	0.52	1.32	0.92	1.28	0.56
3/16"	2.53	0.92	0.57	0.52	1.52	0.92	1.48	0.56
1/4"	2.74	0.92	0.57	0.52	1.57	0.92	1.62	0.56

Valved Assembly Weights (gr)						
Tubing Size	Female Assembly			Male Assembly		
	PP	PVDF	GFBN	PP	PVDF	GFBN
1/16"	1.7	3.4		1.1	2.2	
1/8"	1.8	3.6		1.1	2.3	
3/16"	2.0	4.0		1.3	2.6	
1/4"	2.0	4.0		1.3	2.6	

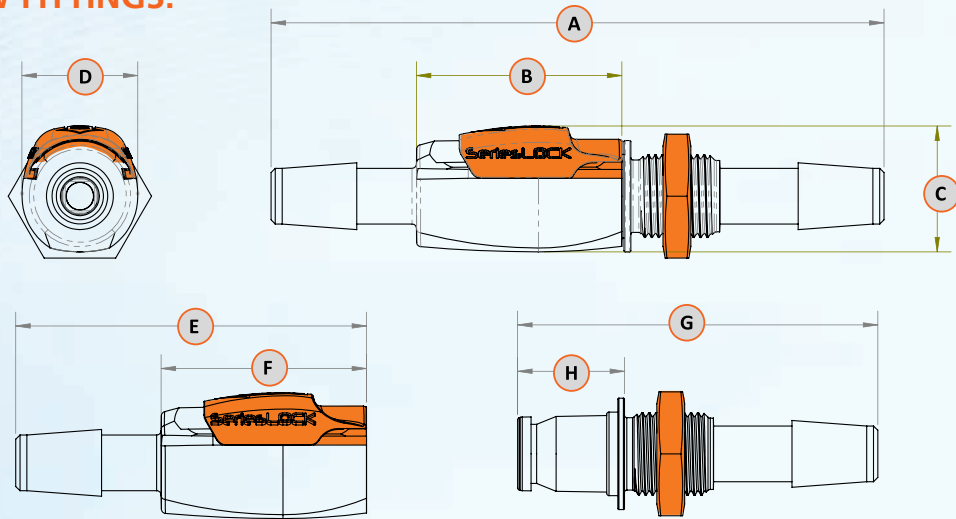
Open Assembly Weights (gr)						
Tubing Size	Female Assembly			Male Assembly		
	PP	PVDF	GFBN	PP	PVDF	GFBN
1/16"	1.6	3.3		0.9	2.0	
1/8"	1.7	3.4		1.0	2.1	
3/16"	1.9	3.9		1.2	2.5	
1/4"	1.9	3.9		1.2	2.4	



Barb (MBV) Valved Flow Female and Male – 1/16", 1/8", 3/16" and 1/4"

SeriesLock®

MICRO-CONNECT PANEL MOUNT (MPMV) VALVED FLOW FITTINGS:



MPMV Series - Micro-Connect Barb Fittings (Dimension in Inches)								
Equivalent Tubing Size	A	B	C	D	E	F	G	H
1/16"	1.77	0.92	0.57	0.52	1.12	0.92	1.08	0.48
1/8"	2.17	0.92	0.57	0.52	1.32	0.92	1.28	0.48
3/16"	2.57	0.92	0.57	0.52	1.52	0.92	1.48	0.48
1/4"	2.72	0.92	0.57	0.52	1.57	0.92	1.62	0.48

Valved Assembly Weights (gr)						
Tubing Size	Female Assembly			Male Assembly		
	PP	PVDF	GFBN	PP	PVDF	GFBN
1/16"	1.7	3.4		1.8	3.7	
1/8"	1.8	3.6		1.9	3.8	
3/16"	2.0	4.0		2.1	4.2	
1/4"	2.0	4.0		2.1	4.2	

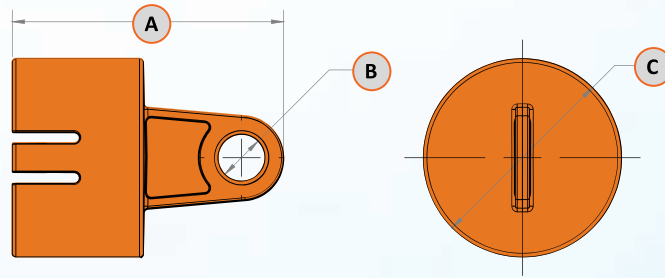
Open Assembly Weights (gr)						
Tubing Size	Female Assembly			Male Assembly		
	PP	PVDF	GFBN	PP	PVDF	GFBN
1/16"	1.6	3.3		1.7	3.6	
1/8"	1.7	3.4		1.7	3.7	
3/16"	1.9	3.9		1.9	4.0	
1/4"	1.9	3.9		1.9	4.0	



Panel Mount (MPMV) Valved Flow Female and Male – 1/16", 1/8", 3/16" and 1/4"

SeriesLock®

CAPS:



Tubing Size Cap (Dimension in Inches)			
Tubing Size	A	B	C
1/8"	1.29	0.25	0.64
3/16"	1.29	0.25	0.64
1/4"	1.30	0.25	0.76
3/8"	1.30	0.25	0.76
1/2"	1.50	0.25	1.06
3/4"	1.50	0.25	1.06



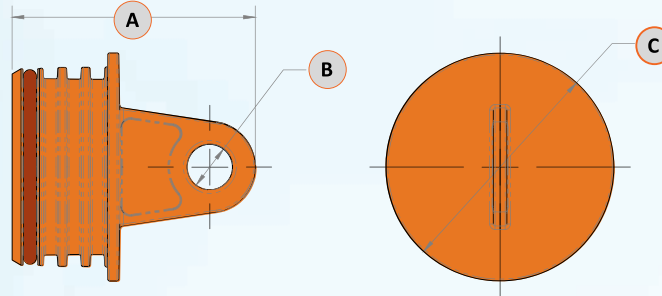
Caps- 1/8", 3/16", 1/4", 3/8", 1/2" and 3/4"

Tubing Size Weights (gr)	
Tubing Size	PP
1/8"	1.1
3/16"	1.1
1/4"	1.4
3/8"	1.4
1/2"	2.2
3/4"	2.2



SeriesLock®

PLUGS:



Tubing Size Cap (Dimension in Inches)			
Tubing Size	A	B	C
1/8"	1.31	0.25	0.79
3/16"	1.31	0.25	0.79
1/4"	1.36	0.25	0.79
3/8"	1.36	0.25	0.79
1/2"	1.36	0.25	1.25
3/4"	1.36	0.25	1.25

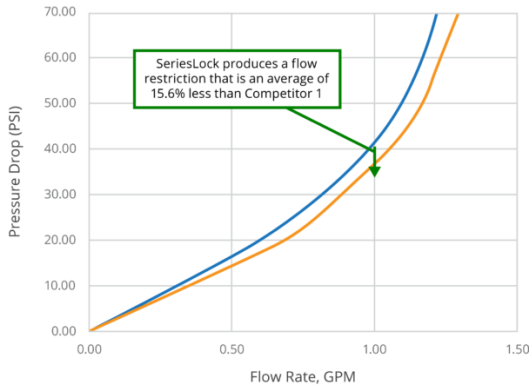


Caps- 1/8", 3/16", 1/4", 3/8", 1/2" and 3/4"

Tubing Size Weights (gr)	
Tubing Size	PP
1/8"	1.4
3/16"	1.4
1/4"	1.7
3/8"	1.7
1/2"	2.9
3/4"	2.9

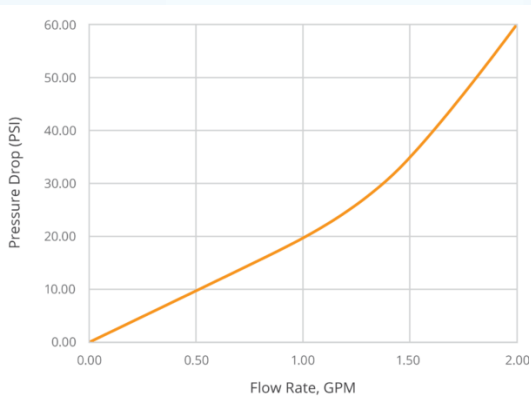


WATER FLOW TEST DATA



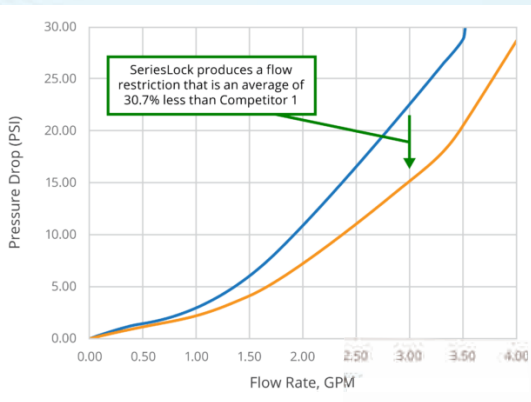
WATER FLOW – 1/8" Barbed Fittings			
FLOW RATE (GPM)	PRESSURE DROP (PSI)		PERCENT CHANGE (PSI) ²
	SeriesLock	Competitor 1	
0.00	0.00	0.00	0.00%
0.60	16.08	20.00	-19.61%
0.90	31.01	35.00	-11.40%
1.10	43.20	50.00	-13.61%
1.20	54.24	66.00	-17.82%

SeriesLock® produces a flow restriction that is an average of 15.6% less than Competitor 1



WATER FLOW – 3/16" Barbed Fittings			
FLOW RATE (GPM)	PRESSURE DROP (PSI)		PERCENT CHANGE (PSI) ²
	SeriesLock	Competitor 1	
0.00	0.00	0.00	0.00%
0.60	16.08	0.00	0.00%
0.90	31.01	0.00	0.00%
1.10	43.20	0.00	0.00%
1.20	54.24	0.00	0.00%

No competitor product commercially available at this time.

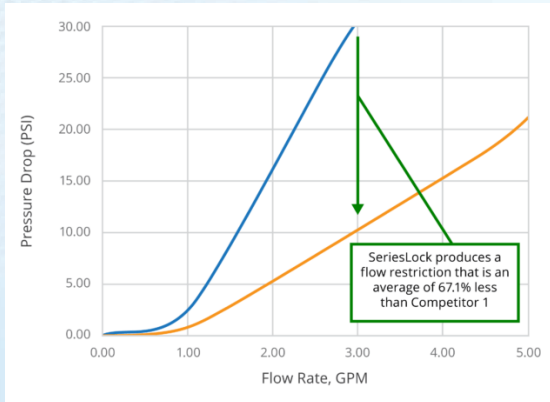


WATER FLOW – 1/4" Barbed Fittings			
FLOW RATE (GPM)	PRESSURE DROP (PSI)		PERCENT CHANGE (PSI) ²
	SeriesLock	Competitor 1	
0.00	0.00	0.00	0.00%
1.51	4.07	6.06	-32.83%
3.46	19.71	28.15	-29.98%
3.52	20.47	29.90	-31.53%
3.60	21.56	30.09	-28.35%

SeriesLock® produces a flow restriction that is an average of 30.7% less than Competitor 1.

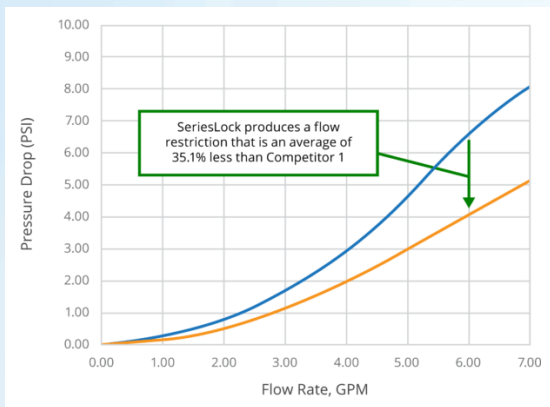


Patents: <https://serieslock.com/patents/>



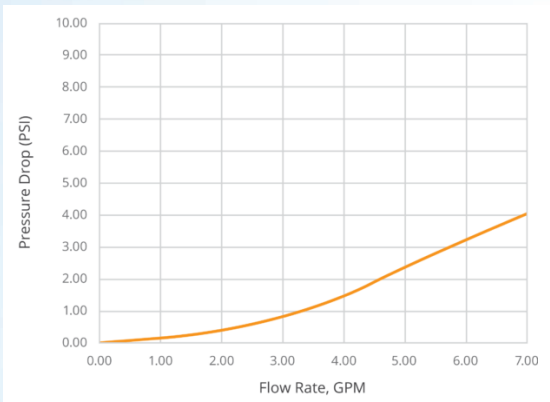
WATER FLOW – 3/8" Barb Fittings			
FLOW RATE (GPM)	PRESSURE DROP (PSI)		PERCENT CHANGE (PSI) ²
	SeriesLock	Competitor 1	
0.00	0.00	0.00	0.00%
1.06	0.96	2.84	-66.10%
2.85	8.01	28.85	-72.23%
3.17	9.75	31.45	-68.99%
3.62	12.35	31.89	-61.26%

SeriesLock® produces a flow restriction that is an average of 67.1% less than Competitor 1.



WATER FLOW – 1/2" Barb Fittings			
FLOW RATE (GPM)	PRESSURE DROP (PSI)		PERCENT CHANGE (PSI) ²
	SeriesLock	Competitor 1	
0.00	0.00	0.00	0.00%
1.88	0.41	0.70	-40.91%
4.00	1.97	2.90	-32.08%
6.70	4.81	7.74	-37.87%
8.30	5.96	8.50	-29.93%

SeriesLock® produces a flow restriction that is an average of 35.1% less than Competitor 1.



WATER FLOW – 3/4" Barb Fittings			
FLOW RATE (GPM)	PRESSURE DROP (PSI)		PERCENT CHANGE (PSI) ²
	SeriesLock	Competitor 1	
0.00	0.00	0.00	0.00%
3.36	1.04	0.00	0.00%
5.06	2.40	0.00	0.00%
7.69	4.56	0.00	0.00%
8.92	4.69	0.00	0.00%

No competitor product commercially available at this time.





SeriesLock®

CHANGING THE WAY YOU CONNECT

SERIESLOCK COMPONENTS		
MATERIALS		
COMPONENT	STANDARD	OPTION
<i>Main Body Components</i>	Polypropylene (PP)	Acetal (AC)
		Glass Filled Black Nylon (GFBN)
		Polysulfone (PS)
		Polyvinylidene fluoride (PVDF)
<i>Slide Button / Main Latch</i>	Polycarbonate	-
<i>Slide Button / Main Latch Color</i>	Orange	Natural, Red, Blue - Special Order Only
<i>Springs</i>	Stainless	Non-Magnetic
<i>Seals</i>	Buna-N	EPDM, Silicone and Viton
		Non-Lube (Silicone Only)

CONNECTIONS	1/16" to 1" Tubing	
LUBRICANTS	PFPE (biocompatible, inert)	
WORKING PRESSURE	Series 100 - Vacuum to 90psi, 6.2 bar	
	Series 200 - Vacuum to 60psi, 4.1 bar	
TEMPERATURE (CONTINUOUS)	AC: 32°F to 180°F (0°C to 82°C)	
	GFBN: 32°F to 282°F (0°C to 139°C)	
	PP: 32°F to 160°F (0°C to 71°C)	
	PVDF: 32°F to 250°F (0°C to 121°C)	
SPILLAGE (AT RATED PRESSURES)	Small Housing (1/8" to 3/16" Tubing)	<0.05cc per disconnect
	Medium Housing (1/4" to 3/8" Tubing)	<0.05cc per disconnect
	Large Housing (1/2" to 1" Tubing)	<0.1cc per disconnect
	Micro Housing (1/16" to 1/4" Tubing)	<0.05cc per disconnect

INTERNAL SURFACE AREAS (IN ²)	
SMALL BODY (-2 / -3)	
Open Female	0.88
Valved Female	0.97
Open Male	2.67
Valved Male	1.55

MEDIUM BODY (-4 / -5 / -6)	
Open Female	1.64
Valved Female	1.99
Open Male	3.72
Valved Male	2.37

LARGE BODY (-8 / -10 / -12)	
Open Female	5.01
Valved Female	6.11
Open Male	8.99
Valved Male	6.36

Patents: <https://serieslock.com/patents/>

ELDON JAMES

WWW.ELDONJAMES.COM

Eldon James Corporation • Phone: 970-667-2728 • Sales@eldonjames.com

